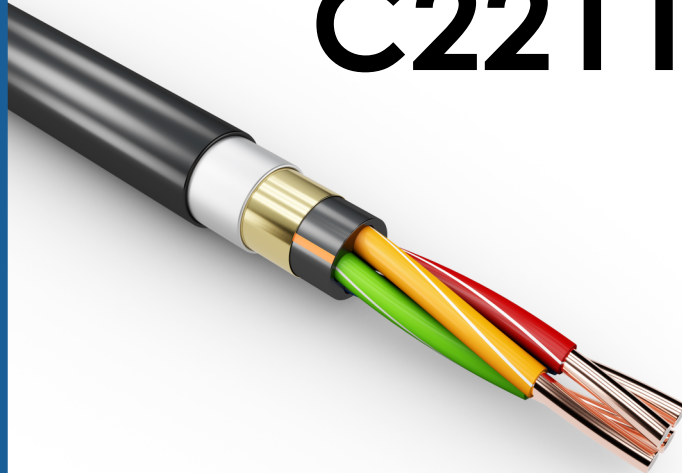




GENVOLT

Multi Conductor Cable

C2211-R1



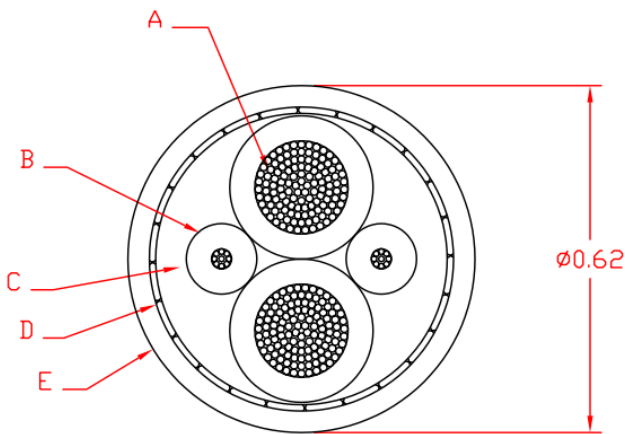
High Voltage
Multi Conductor Cable



C2211-R1

15kV_{DC} / SILICONE DIELECTRIC / 4 CONDUCTOR SHIELDED

CONSTRUCTION



KEY

- A. 2 X #8 AWG (133x #29 AWG) TIN PLATED COPPER SILICONE RUBBER TO $\varnothing 0.256 \pm 0.015$
- B. 2 X #20 AWG (10x #30 AWG) TIN PLATED COPPER SILICONE RUBBER INSULATION TO $\varnothing 0.126$ COLOUR: ONE WHITE, ONE RED
- C. FILLER MATERIAL & MYLAR BINDER TAPE
- D. BRAIDED SHIELD, #34 AWG, 85% COVERAGE
- E. BLACK PVC JACKET, 0.040 WALL

TECHNICAL INFORMATION

Voltage kV (DC)		15		Voltage kV (AC)		5			
Number of Conductors		2		Outside Diameter		Inches	0.620		
		2				cm	1.575		
AWG		#8		Impedance		ohms	15		
		#20					42		
Strands		133/29 TC		Capacitance		pF/ft	125		
		10/30 TC					43		
Insulation		Silicone		Min Bend Radius		Inches	5.00		
Semicon Diameter		N/A					Cm	12.70	
Dielectric Insulation		Material		Min Ambient Temp		°F	-60		
		Diameter (in)					0.256	0.126	°C
		Diameter (cm)				0.650	0.32	140	
Shield		Construction		Max Conductor Temp		°F	60		
		AWG Equiv					#15	°C	60
		Coverage %		85%		Weight			lb/ft
		Semicon		N/A				kG/m	
				Jacket Material		PVC			

GLOBAL PRESENCE



UK Office:

Genvolt, New Road, Bridgnorth, Shropshire, WV16 6NN, United Kingdom

Tel: +44 (0) 1746 862 555

Email: info@genvolt.co.uk Website: www.genvolt.com

India Office:

Genvolt India Private Limited

806, Suratwala Mark Plazzo, Hinjewadi Village, Hinjewadi, Pune, Maharashtra - 411057, India

Email: supportindia@genvolt.co.uk Website: www.genvolt.in

Research and Development:

Genvolt Ltd

New road, Bridgnorth, Shropshire, WV16 6NN

Factories:

Genvolt Ltd

New road, Bridgnorth, Shropshire, WV16 6NN

Boher High Voltage Power Supplies Ltd (Genvolt China)

No. 79 Yandangshan Road, Suyu District, Suqian City, Jiangsu, China